

# Broil King®

---

---



## Broil King

ROYAL 320  
8242-52  
8242-53

---

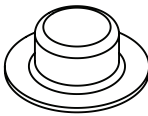
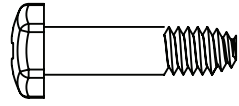
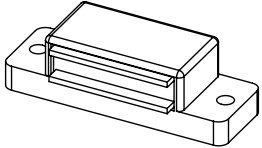
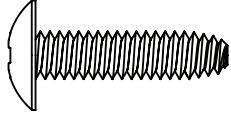
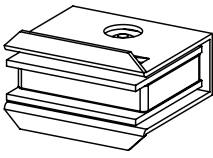

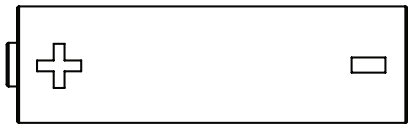
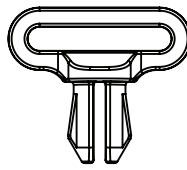
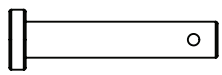
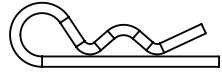
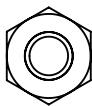
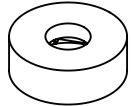
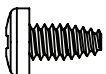
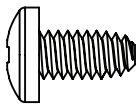

---

*Onward*  
MANUFACTURING COMPANY LIMITED  
585 KUMPF DRIVE  
WATERLOO, ONTARIO, CANADA  
N2V 1K3

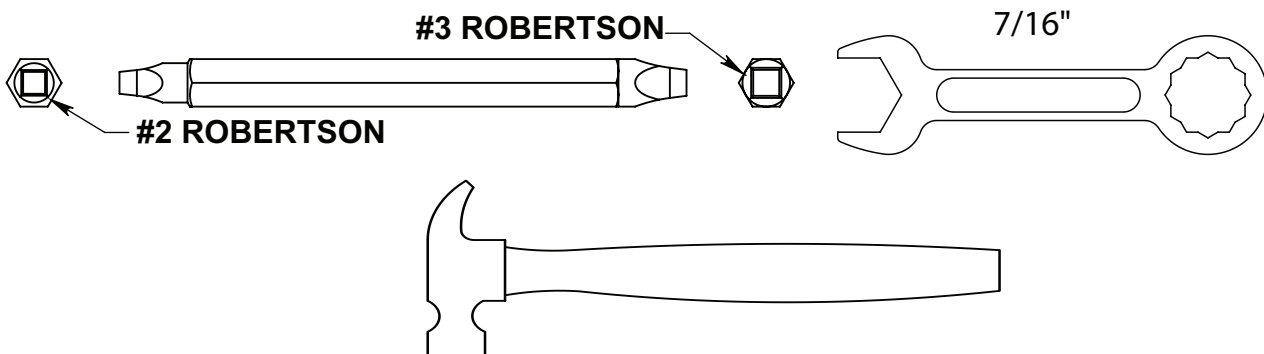
SINCE 1906

10084-E33EU REV B 09/17

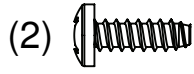
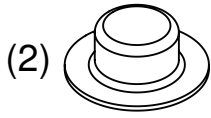
## HARDWARE INCLUDED

S21420		X2	Y-11551		X1
Y-12222		X1	Y-12860		X2
Y-12223		X1	Y-11561		X4
AAA		X1	Y-12673		X2
32300112		X2	S21233		X2
Y-11793		X2	Y-12124		X1
Y-29304		X2	Y-11865		X6
			S21124		X2

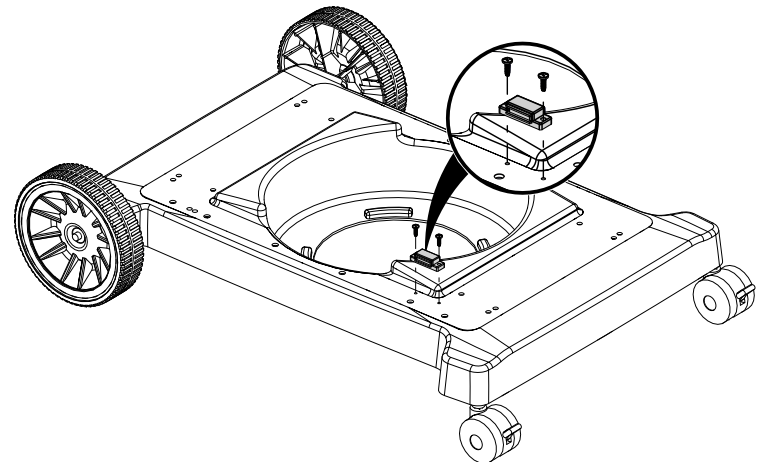
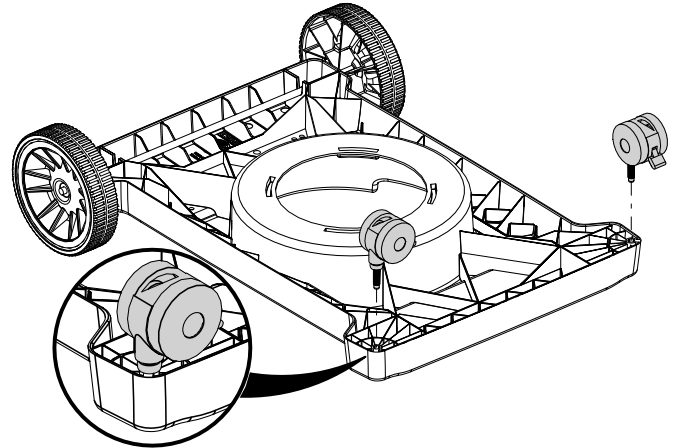
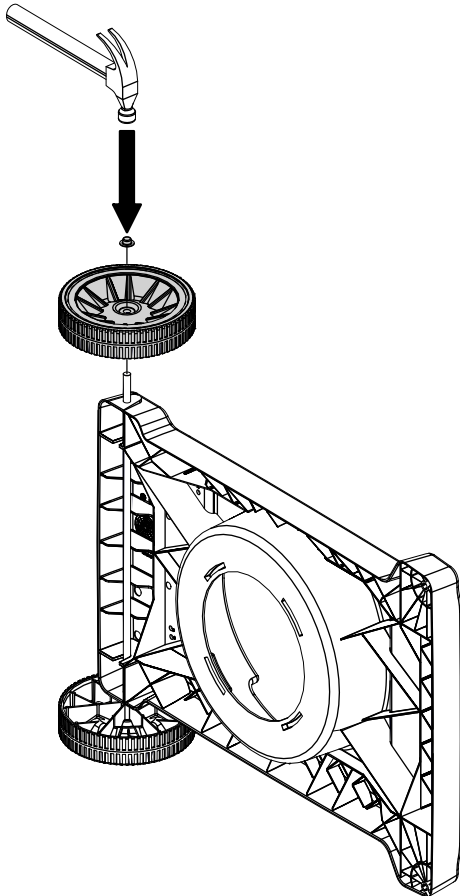
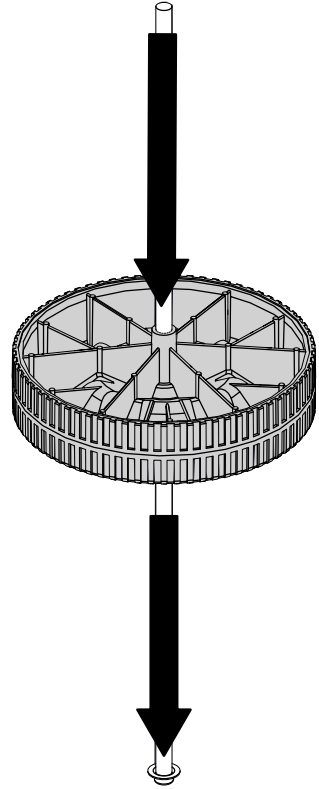
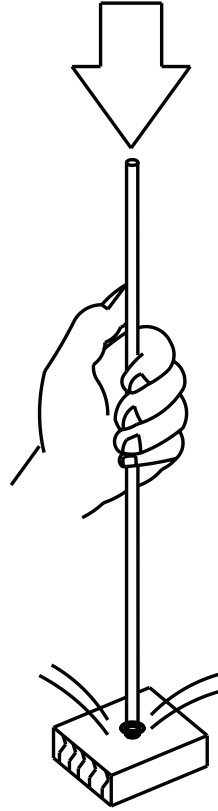
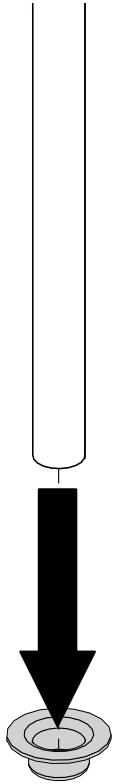
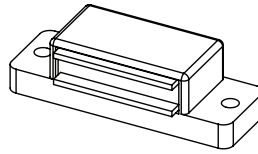
## TOOLS REQUIRED



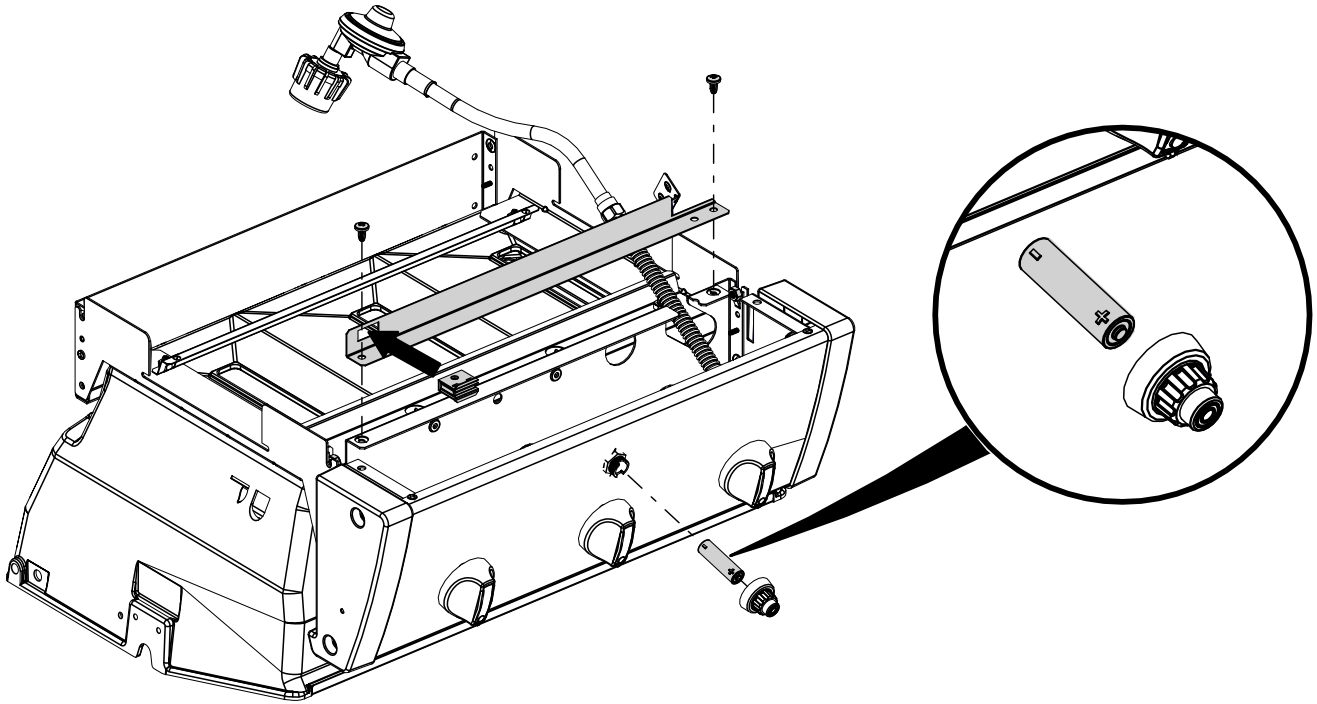
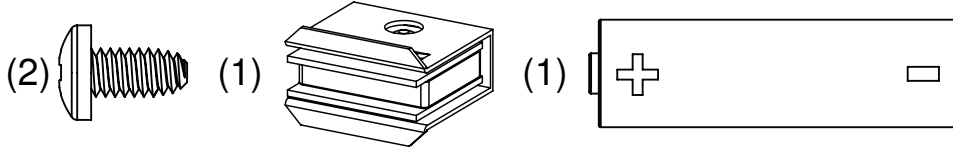
# 1



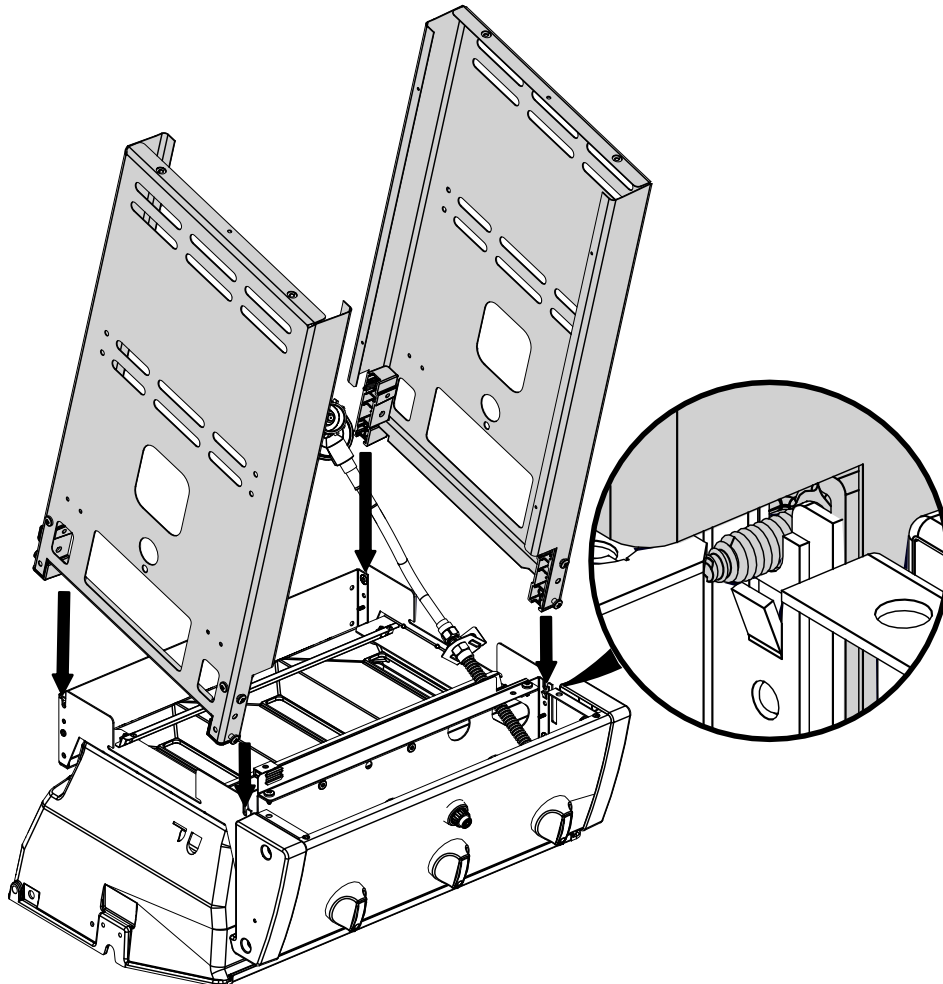
(1)



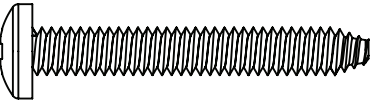

**2**

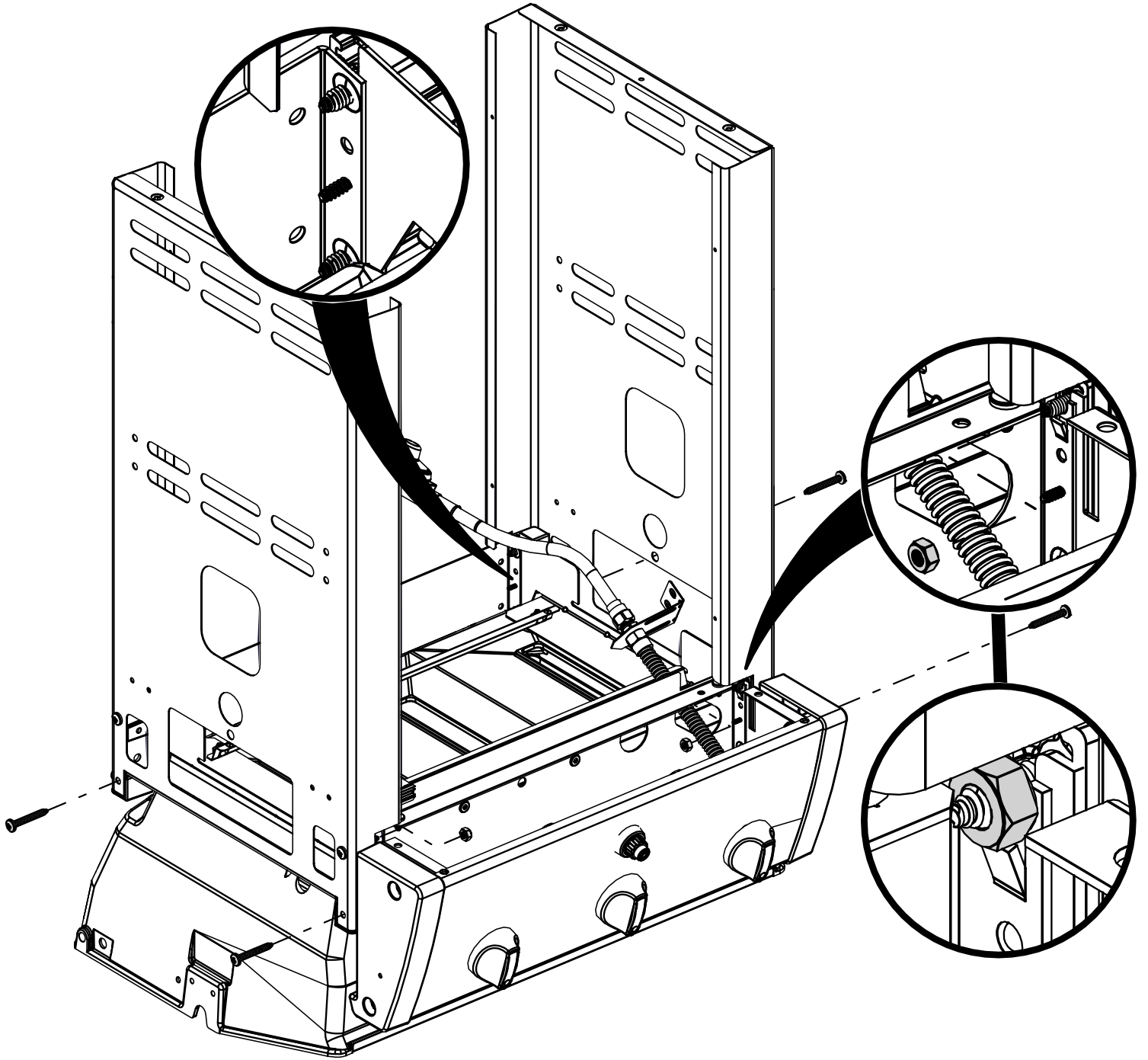


**3**

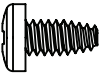


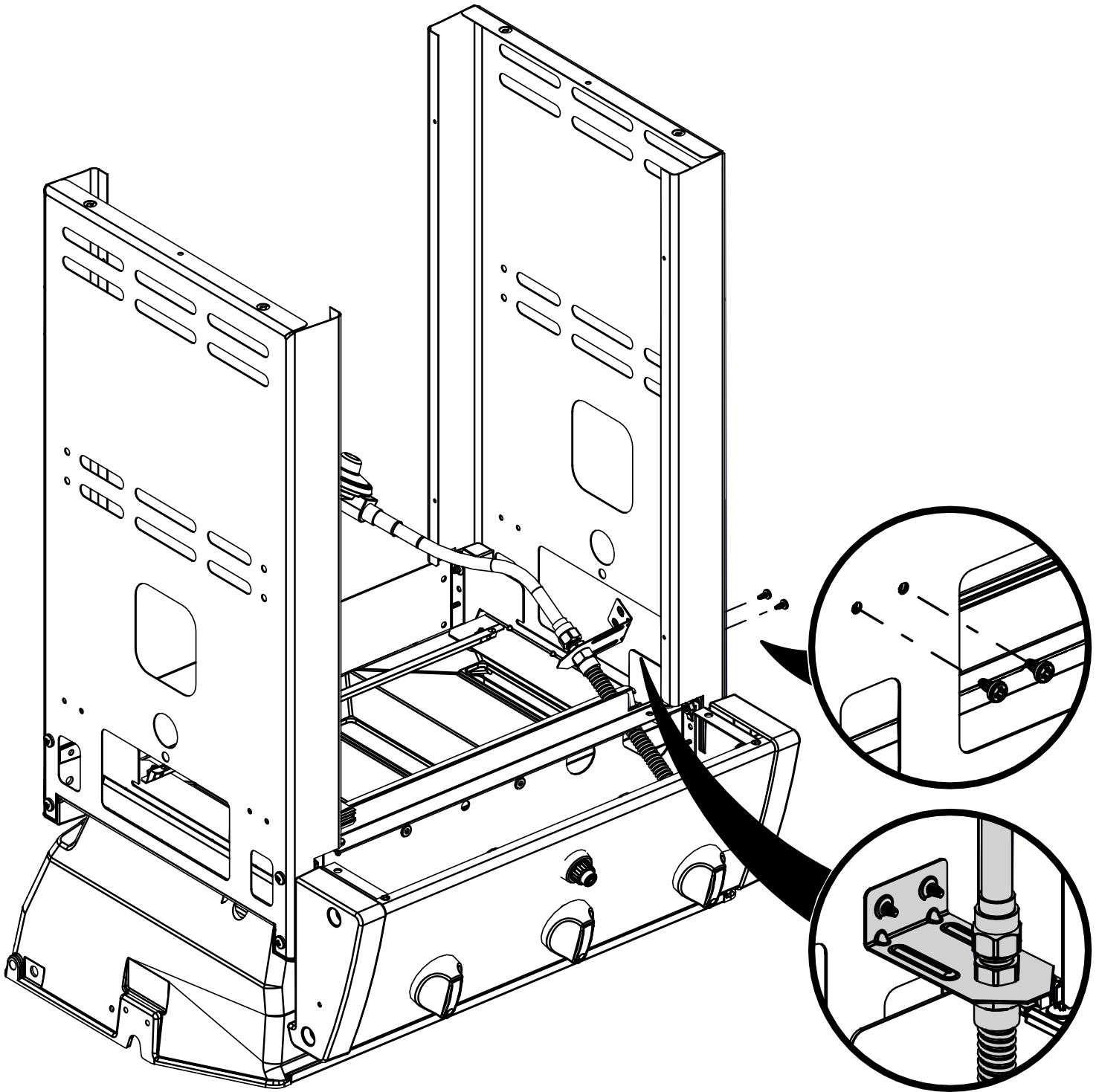
4

(4)  (2) 

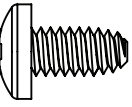


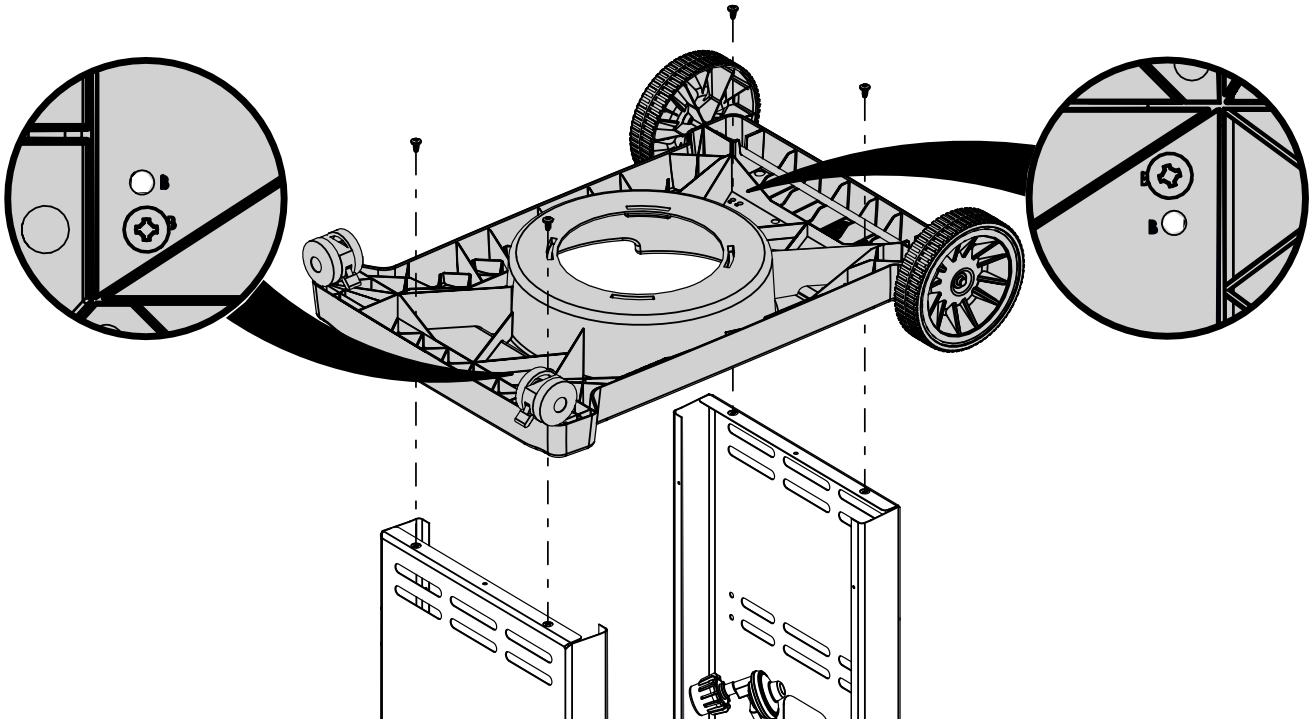
5

(2) 

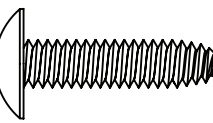
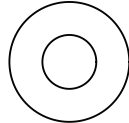


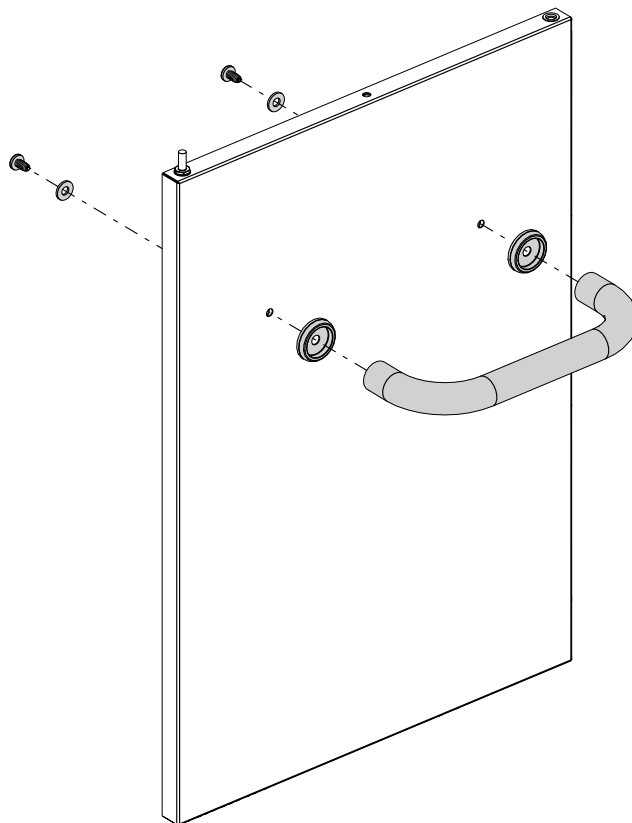
6

(4) 



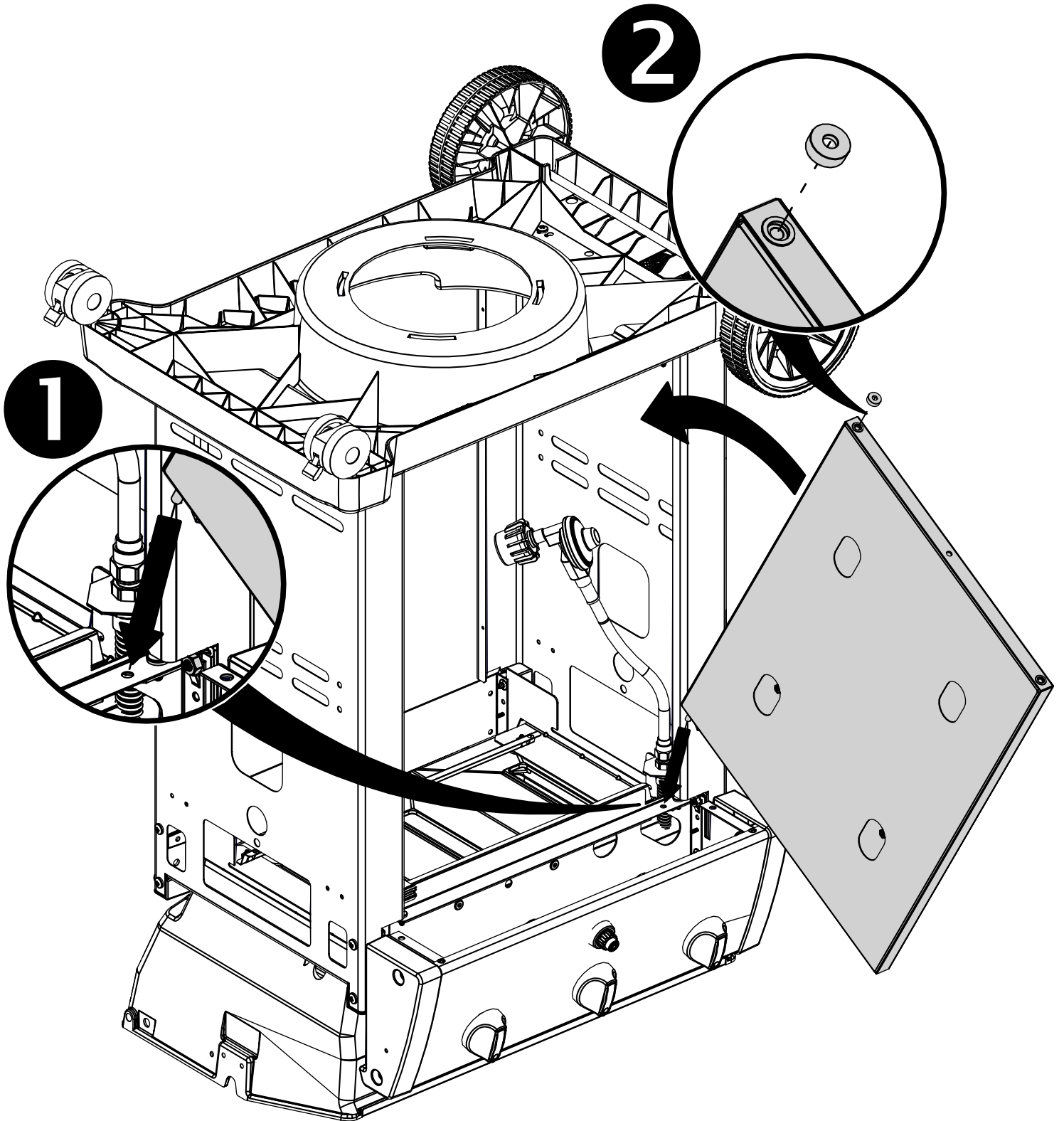
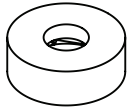
7

(2)  (2) 



8

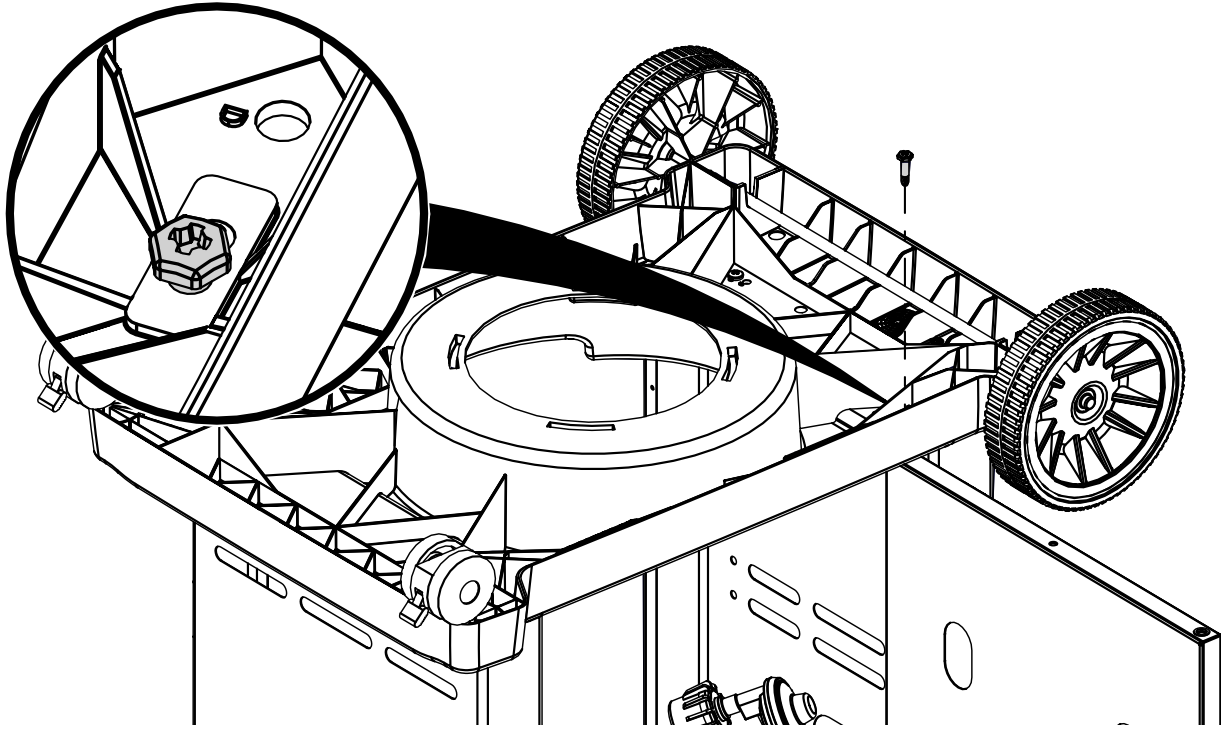
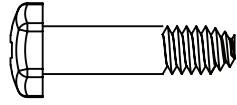
(1)



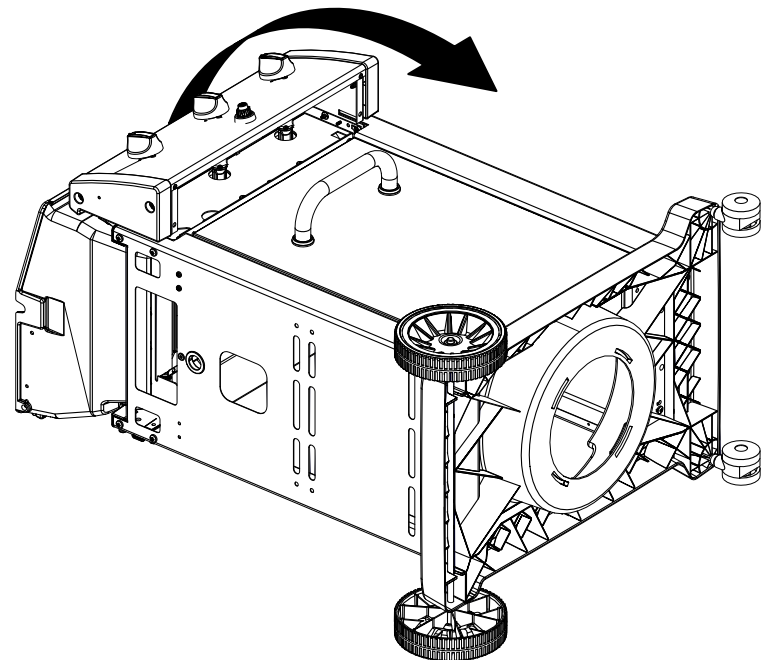
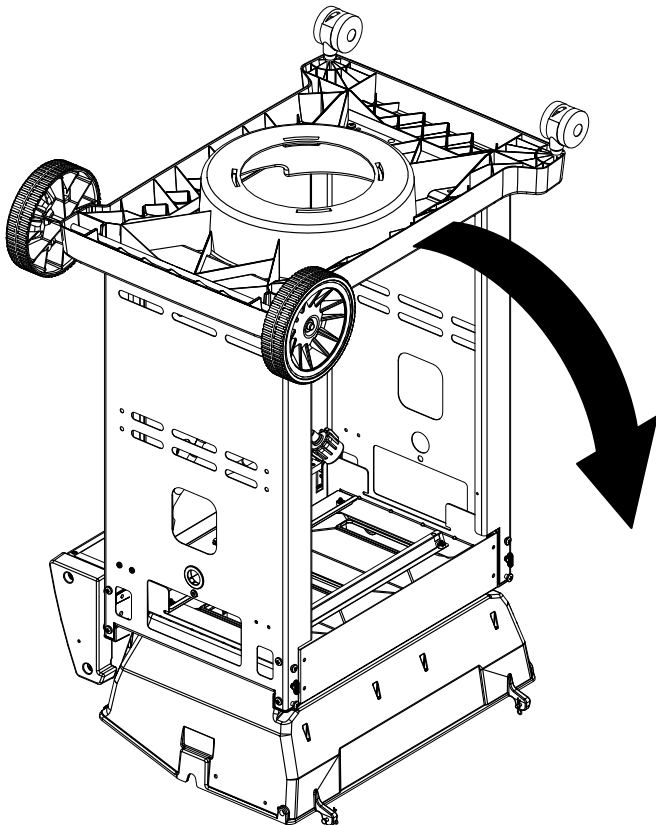


9

(1)

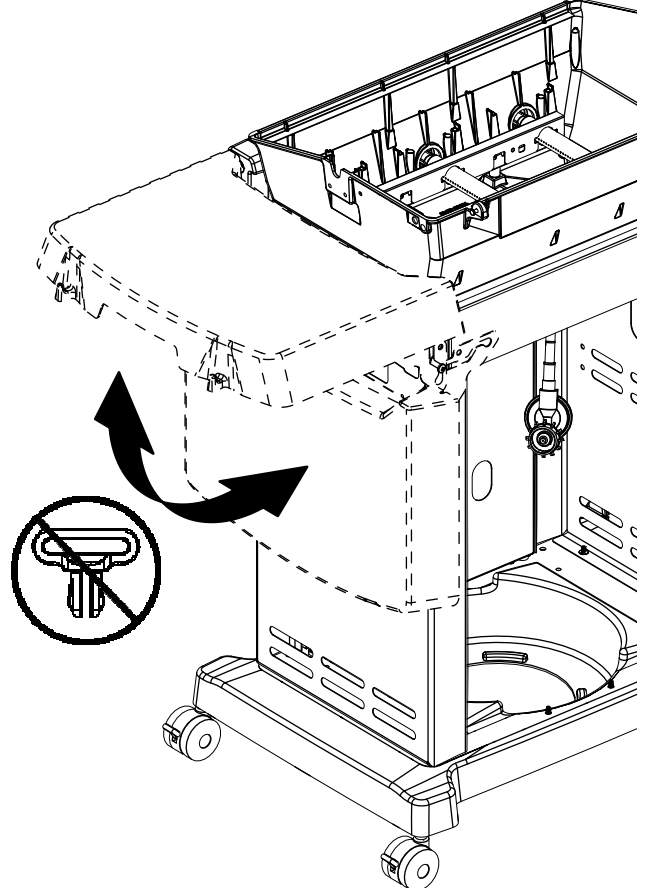
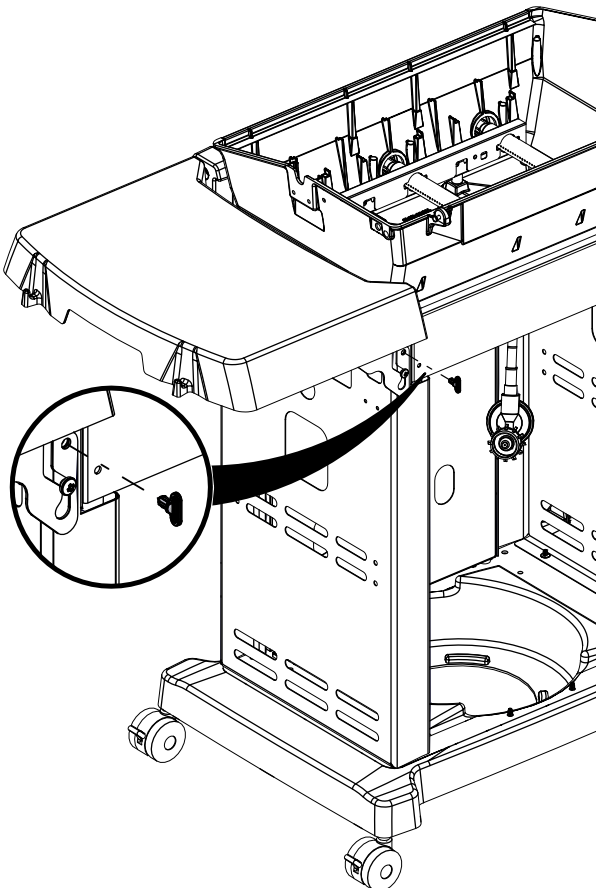
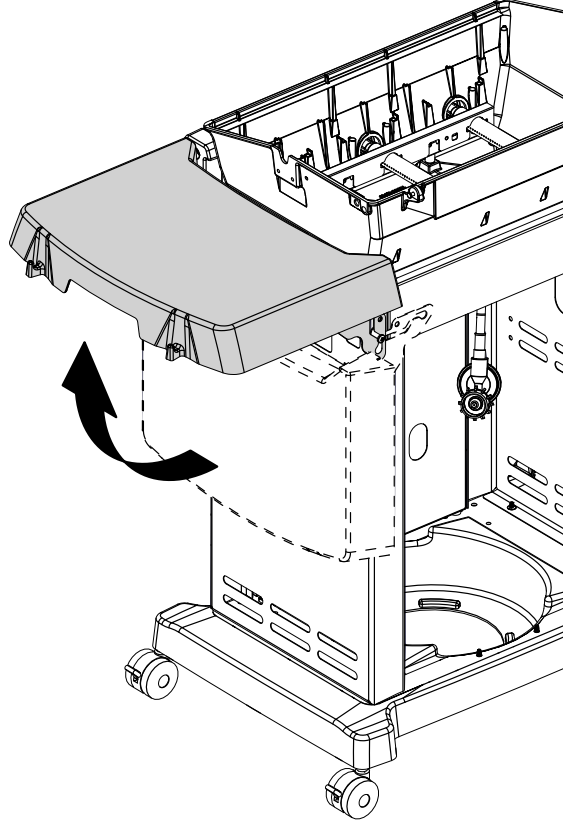
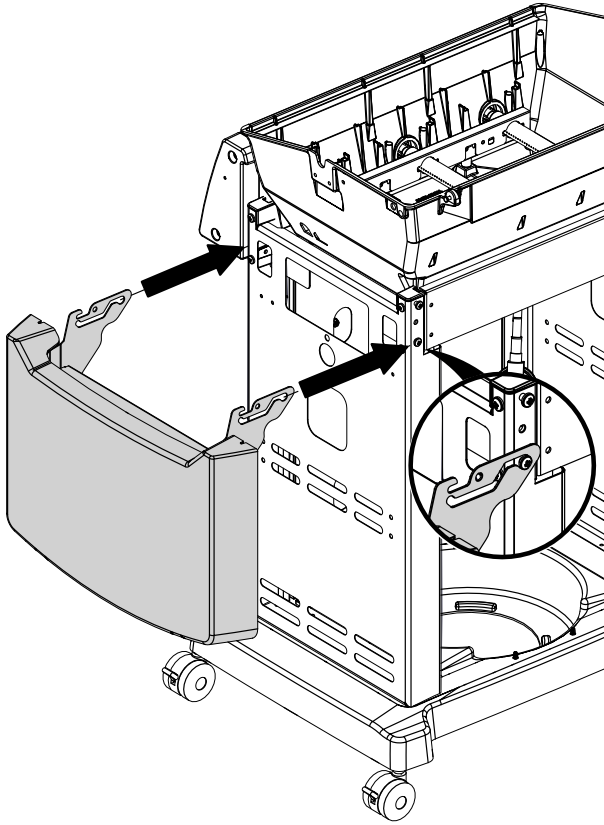
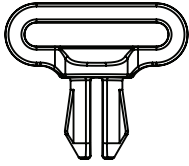


10

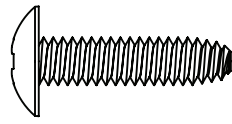
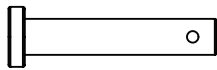



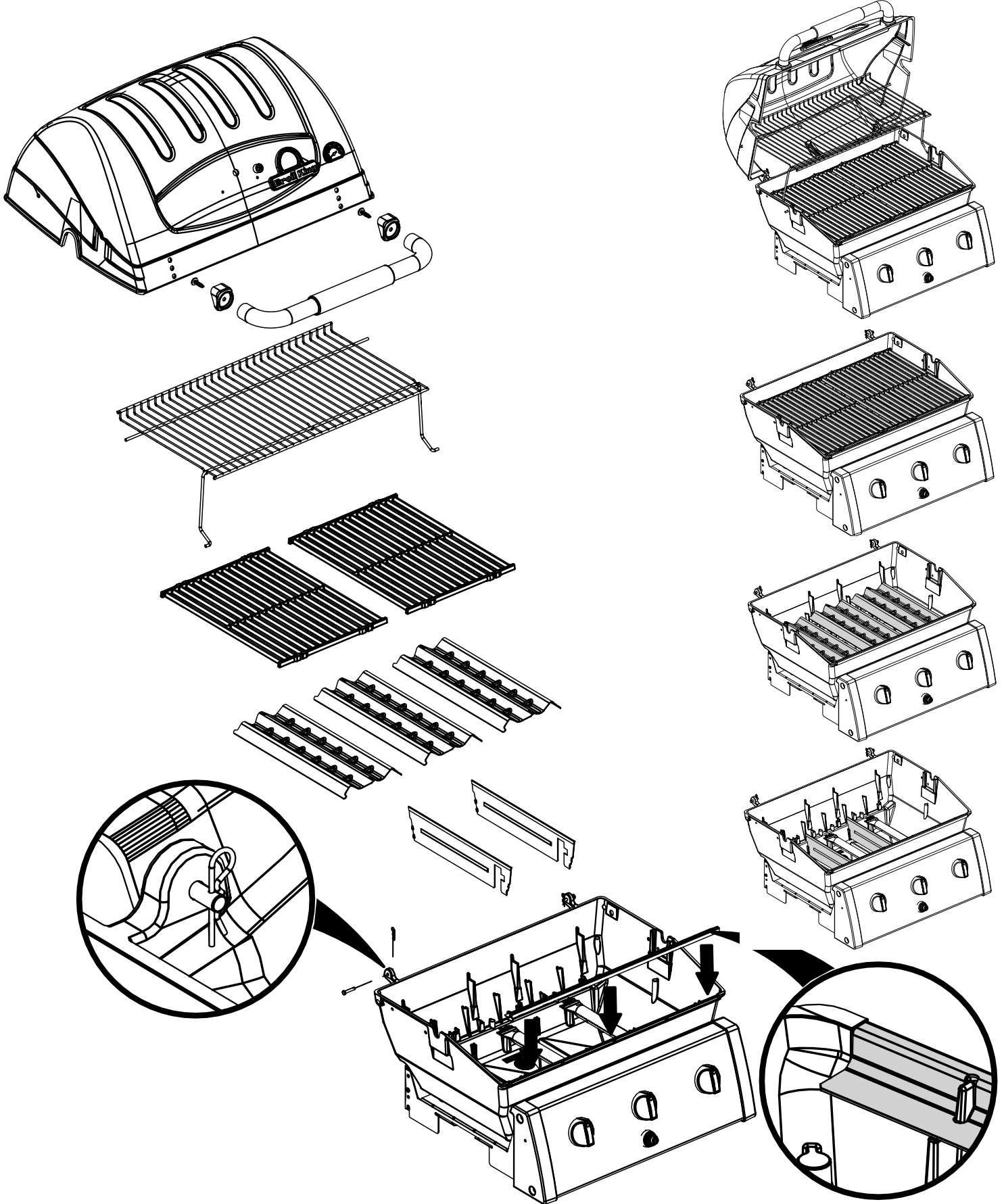
# 11

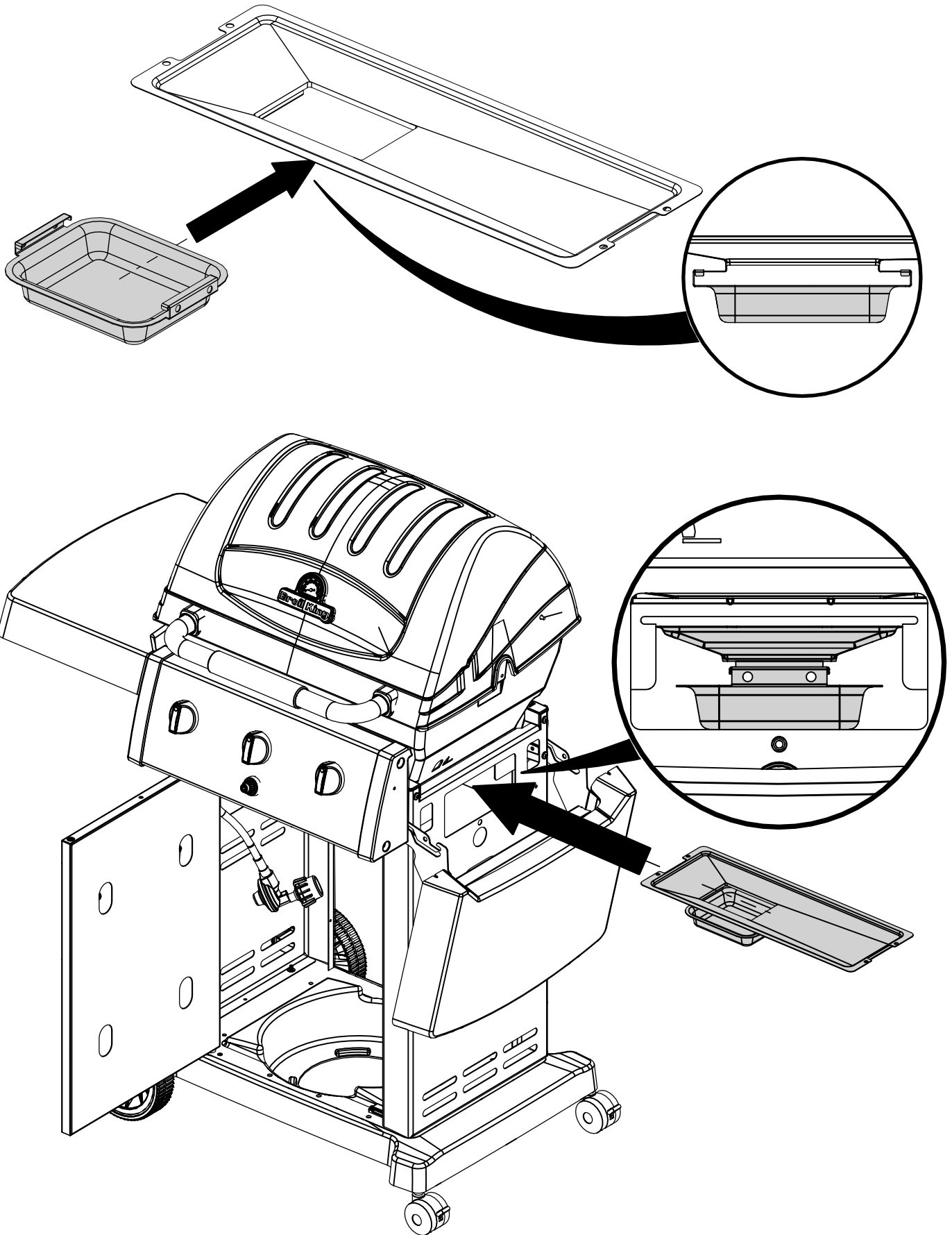
(2)

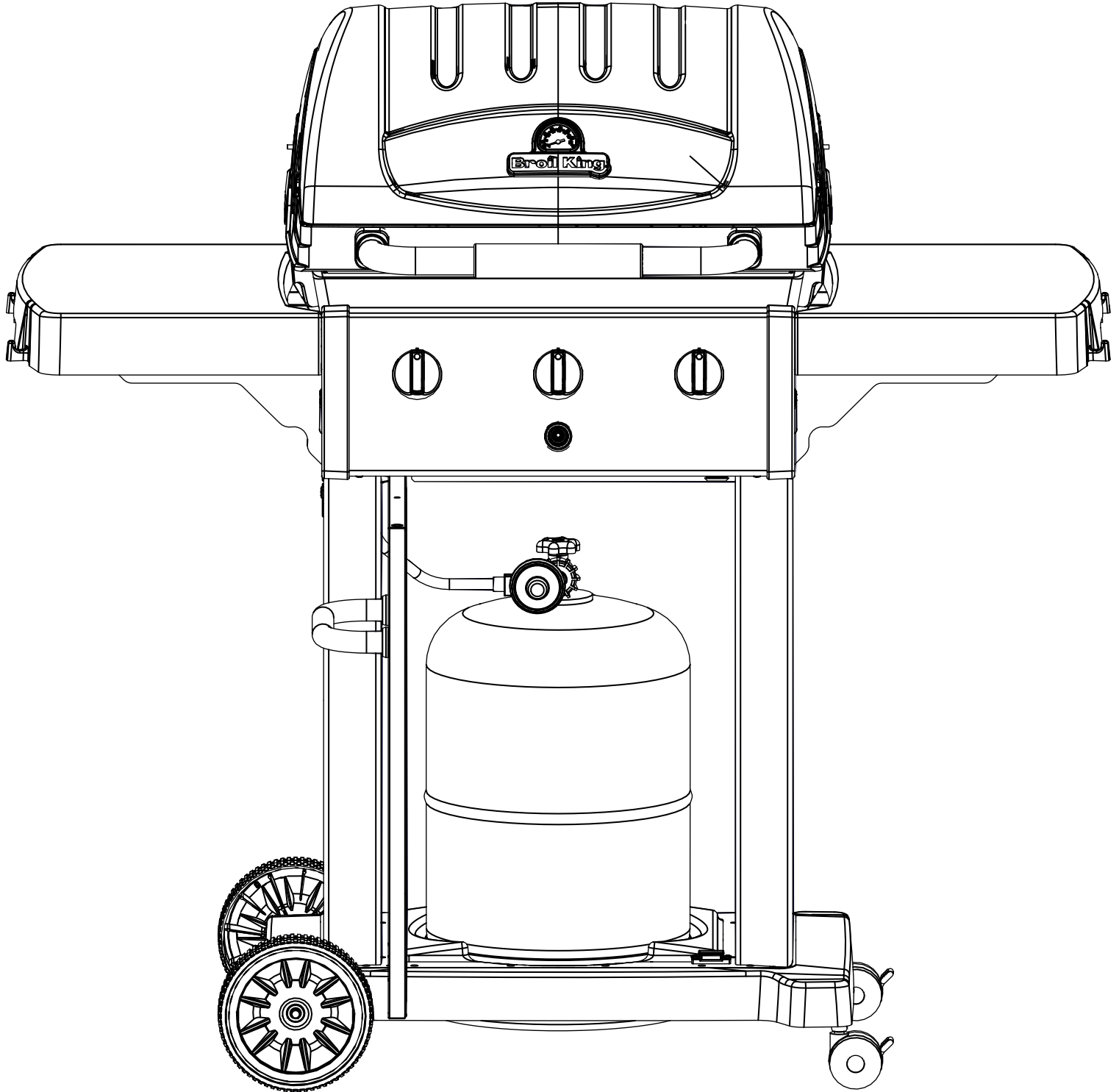


# 12

- (2)  (2)  (2) 







**PARTS LIST / LISTE DES PIECES**

<u>KEY #</u>	<u>ITEM #</u>	<u>DESCRIPTION</u>	<u>8242-52</u>	<u>8242-53</u>
1	10909-E340	CASTING BOTTOM	1	1
2	34110328	CASTING TOP	1	1
3	10081-BK530	NAMEPLATE	1	1
4	10184-E26	HEAT SHIELD	1	1
5	10571-5	HEAT INDICATOR	1	1
6	32300112	HINGE PIN	2	2
7	S21233	HITCH PIN CLIP	2	2
9	10225-T340	GRID - PORCELAIN	2	2
10	10222-E400	FLAV-R-WAVE	3	3
11	38110172	GRID - WARMING RACK	1	1
12	10222-E301	DIVIDER	2	2
13	10184-R83	BOSS EXTENSION	1	1
15	52904-E400D	BURNER	1	•
	52904-E400E	BURNER	•	1
17	10342-245	ELECTRONIC IGNITOR	1	1
18	10342-E12	ELECTRODE	2	2
19	52224-024A	COLLECTOR BOX	1	1
20	10111-16A	HOSE ASSEMBLY	1	1
21	29004-012	CONTROL ASSEMBLY	1	•
	29004-013	CONTROL ASSEMBLY	•	1
23	10473-K431	CONTROL KNOB	3	3
30	10194-F138	CONTROL COVER	1	1
31	10711-E34	EDGE CAP - CONTROL COVER	1	1
32	10711-E33	EDGE CAP - CONTROL COVER	1	1
33	10184-E96	RADIATION SHIELD	1	1
34	10184-E97	GREASE RAIL	1	1
35	10184-E501	SUPPORT-CASTING-LEFT	1	1
36	10184-E511	SUPPORT-CASTING-RIGHT	1	1
37	10184-E531	SUPPORT-SIDE SHELF-LEFT	2	2
37A	10184-E63	SUPPORT-SIDE SHELF-LEFT	2	2
38	10184-E521	SUPPORT-SIDE SHELF-RIGHT	2	2
38A	10184-E62	SUPPORT-SIDE SHELF-RIGHT	2	2
39	10956-E421	BRACE-REAR	1	1
40	10958-E71	BASE	1	1
41	10956-E311	BRACE-FRONT	1	1
43	10958-E761	SIDE PANEL	2	2
45	10184-E981	BRACKET - DOOR CATCH	1	1
48	10184-E691	SHELF BRACKET	2	2
50	10711-F55	SHELF - SIDE	2	2
56	10892-7G	WHEEL	2	2
69	10958-E48AB	DOOR	1	1
70	21071-13	HANDLE	1	1
71	21070-13	HANDLE BEZEL	2	2
72	S21420	PUSH NUT	2	2
73	Y-12857	WASHER	2	2
74	S21084	SCREW - #14 x 3/4	15	15
75	24004-12A	HANDLE	1	1
76	10239-E107	HANDLE BEZEL - LID	2	2
78	10892-13	CASTOR	2	2
79	Y-11561	BOLT - 1/4:20 x 1 3/4	12	12
80	Y-11546	SCREW - SHOULDER	8	8
81	Y-12860	SCREW - 1/4-20 X 1 3/8	6	6
82	Y-12673	SHELF - LOCK PIN	2	2
84	S15170	AXLE	1	1
85	Y-12865	SCREW - 1/4-20 X 3/4	8	8
86	Y-11545	SCREW - 1/4-20 X 1-3/8	4	4
87	Y-11793	NUT- 1/4-20	6	6
88	32500179	BOLT - 10-24 X 3/4	2	2
98	S21124	SCREW - 8 X 1/2	17	17
115	Y-29304	SCREW #10-24 X 3/8	2	2
122	57054-902	GREASE TRAY	1	1
123	52009-902	GREASE PAN	1	1
135	Y-12119	BUSHING	2	2
150	10240-14	DOOR PIN	1	1
152	Y-12222	MAGNET	1	1
153	Y-12223	SNAP IN MAGNET	1	1
164	Y-12124	DOOR PIN CAP	1	1
165	Y-11551	SCREW 1/4-20 X 1	1	1





